

## Promat PipeSeal® PPS Slab Penetration Collar Installation Instruction

The PipeSeal® PPS Slab Penetration Collar is designed to be fixed to the formwork prior to pouring concrete floor slabs to provide openings in floor slabs for non fire resistant plastic pipe penetrations. The collar is available in FIVE (5) sizes to accommodate pipes with an outside diameter (OD) of 43mm, 55mm, 69mm, 83mm or 110mm.

### Installation Guide

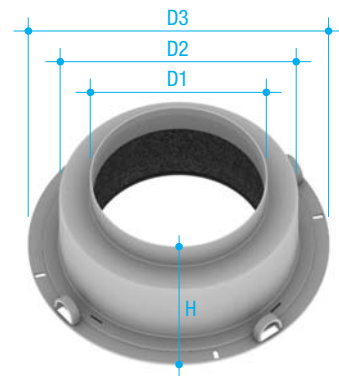
After the formwork has been stripped, the piece of pipe may be removed from the PipeSeal® collar leaving an opening in the floor ready for the installation of the service.

PipeSeal® Slab Penetration Collars leave a neat appearance after stripping and prevents the exposure of the steel reinforcement caused by coring.

### Dimensions Guide

Code no.	Pipe OD (mm)	Pipe nom. (mm)	Body (mm)			Flange (mm)
			H	D1	D2	D3
<b>PPS 40</b>	43	40	78	43	115	160
<b>PPS 50</b>	55	50	78	55	115	160
<b>PPS 65</b>	69	65	68	69	115	160
<b>PPS 80</b>	83	80	78	83	163	210
<b>PPS 100</b>	110	100	78	110	163	210

PipeSeal® collars are designed to provide openings in cast slabs. This product will not provide a seal in the event of a fire and has no fire resistance classification.



Promat provides a wide range of systems for compartmentation, fire resistant air and cable ducts, structural steel protection, fire stopping and partitions. For assistance with any proactive fire protection problems, contact the nearest Promat office.

**Promat Australia Pty. Ltd.**

Tel: 1800 PROMAT (776 628) Email: [mail@promat.com.au](mailto:mail@promat.com.au) Website: [www.promat.com.au](http://www.promat.com.au)  
Fax: 08 8352 1014 (South Australia) 02 9630 0258 (New South Wales) 1800 334 598 (Victoria and Queensland)

an **Etex** GROUP company