

Promat MultiSeal® MS Cast-In Slab Penetration System Installation Instruction

Promat MultiSeal® MS Cast-in Slab Penetration Collar is designed to be fixed to the formwork prior to pouring concrete floor slabs to provide openings in floor slabs for multiple service penetrations.

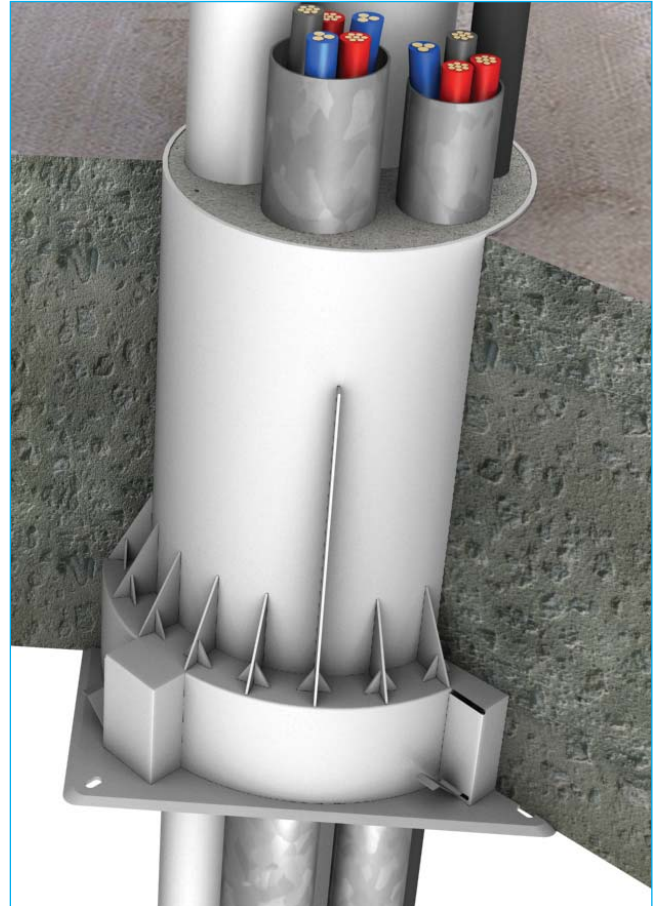
The collar is available in THREE (3) sizes: 1) MSS, to accommodate services up to nominal 75mm, 2) MSM, to accommodate services up to nominal 120mm diameter and 3) MSL, to accommodate services up to nominal 170mm diameter.

Installation Method

Promat MultiSeal® Cast-in MS Slab Penetration Collars leave a neat appearance after stripping and prevents the exposure of the steel reinforcement caused by coring. Trim off any of the part that extends above the slab.

After the installation of the services, backfill the MultiSeal® collar with a mortar mix to the full height of the floor slab.

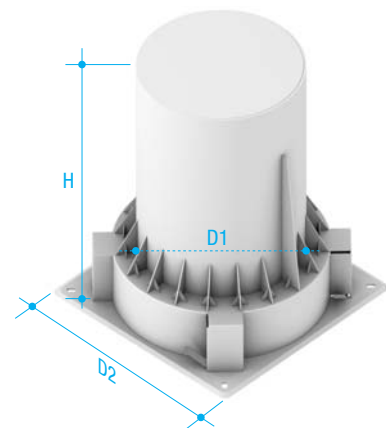
MultiSeal® collars are designed to provide openings in cast slabs, this product will NOT provide a seal in the event of a fire and has no FRL classification.



Dimensions Guide

Code no.	Max. services (mm)	Body (mm)		Flange (mm)
		H	D1	D2
MSS	75*	250	95	155
MSM	120*	250	140	198
MSL	170	250	190	253

*Allowance of 10mm for backfill around service.



Fire Resistance of Penetration

Please contact Promat for assistance.

Promat provides a wide range of systems for compartmentation, fire resistant air and cable ducts, structural steel protection, fire stopping and partitions. For assistance with any proactive fire protection problems, contact the nearest Promat office.

Promat Australia Pty. Ltd.

Tel: 1800 PROMAT (776 628) Email: mail@promat.com.au Website: www.promat.com.au
 Fax: 08 8352 1014 (South Australia) 02 9630 0258 (New South Wales) 1800 334 598 (Victoria and Queensland)

an **etex** company